

KIEN1005S

5 Port Unmanaged DIN-Rail PoE Switches



» Overview

KIEN1005S series are Kyland produced unmanaged 5-port PoE switches, providing 1 fast Ethernet fiber/RJ45 optional port and 4 10/100Base-TX PoE ports compliant with IEEE802.3af. While transmitting data over the cable, each PoE port can output 15.4 watts to PoE terminals directly, eliminating the need for additional wiring. KIEN1005S supports wide operating temperature range from -40°C to 85°C, metal housing with IP40 protection class and redundant power inputs, becoming an economical and harsh-environment-resistant solution for the ITS, video surveillance and other automation applications.

» Key Features

1 Fast Ethernet fiber/RJ45 optional port and 4 10/100Base-TX PoE ports compliant with 802.3af

Support PD detection and PD classification

Operating temperature is -40°C to 85°C

IP40 protection class

» Product Specifications

> Technical Specification

-Standard

IEEE 802.3i(10Base-T)

IEEE 802.3u(100Base-TX and 100Base-FX)

IEEE802.3af (PoE)

-Switch Properties

MAC Table: 2K

Packet Buffer: 1Mbit

Packet Forwarding Rate: 0.8Mpps

Switching Delay:<10 μ s

-Interface

Fast Ethernet Port:

100Base-FX, SM/MM, SC/ST/FC connector

10/100Base-T(X), RJ45port

802.3af PoE Port:

Each PoE port provides max 15.4W feed power

V+ for pin 1, 2 and V- for pin 3, 6 (End-Span PSE)

-LED

LEDs on Front Panel:

Power LED:PWR1,PWR2

Interface LED:Link/ACT

PoE Status LED: POE

-Power Requirements

Power Input: 48VDC (45-57VDC)

Power Terminal:

5-pin 5.08mm-spacing plug-in terminal block

Power Consumption:<3W (no PD), <65W (full PD)

PoE overload protection: Support

Reverse protection: Support

Redundancy protection: Support

-Physical Characteristics

Housing: Metal

Cooling: Natural convection, fanless

Protection Class: IP40

Dimension:

30mm×115mm×91.5mm (W×H×D)

Weight: 0.46Kg

Mounting: DIN-Rail or Panel Mounting

-Environmental Limits

Operating Temperature: -40°C to +85°C

Storage Temperature: -40°C to +85°C

Ambient Relative Humidity: 5-95% (non-condensing)

-Quality Assurance

MTBF: 338,100 hrs

Warranty: 5 years

-Industry Standard

EMI:

FCC CFR47 Part 15,EN55022/CISPR22,Class A

EMS:

IEC61000-4-2(ESD) ±6KV(contact):±8KV(air)

IEC61000-4-3(RS) 10V/m(80MHz– 2GHz)

IEC61000-4-4(EFT) Power Port:±2KV

IEC61000-4-5(Surge) Power Port:±1KV/DM, ±2KV/CM;

IEC61000-4-6(CS) 10V(150kHz–80MHz)

Machinery:

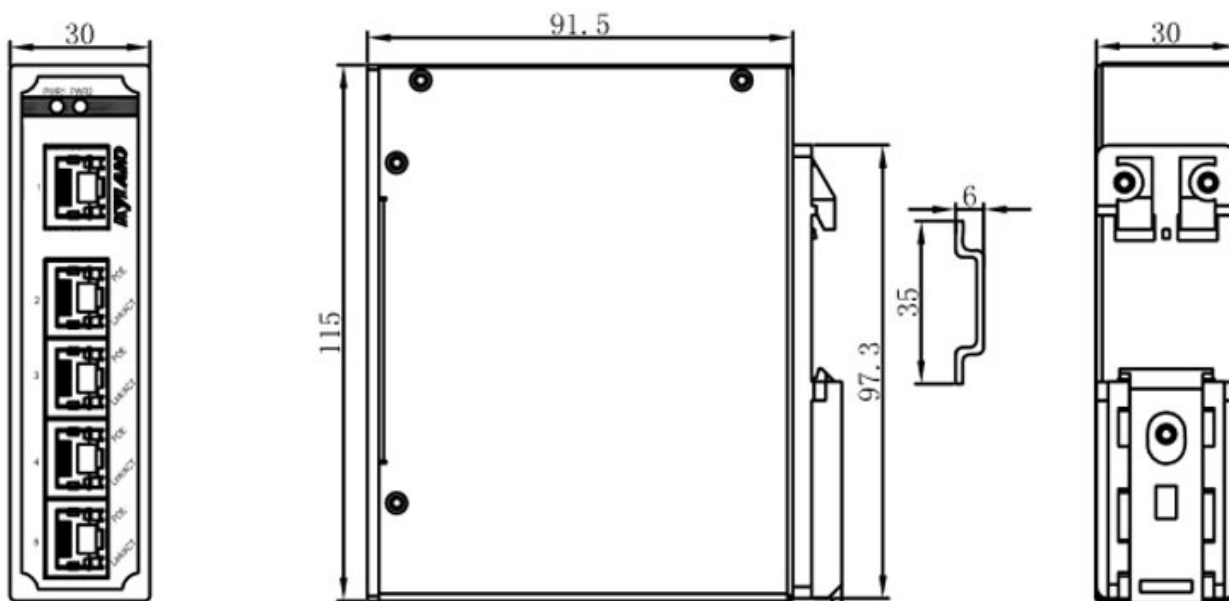
IEC60068-2-27 (Vibration)

IEC60068-2-32 (Shock)

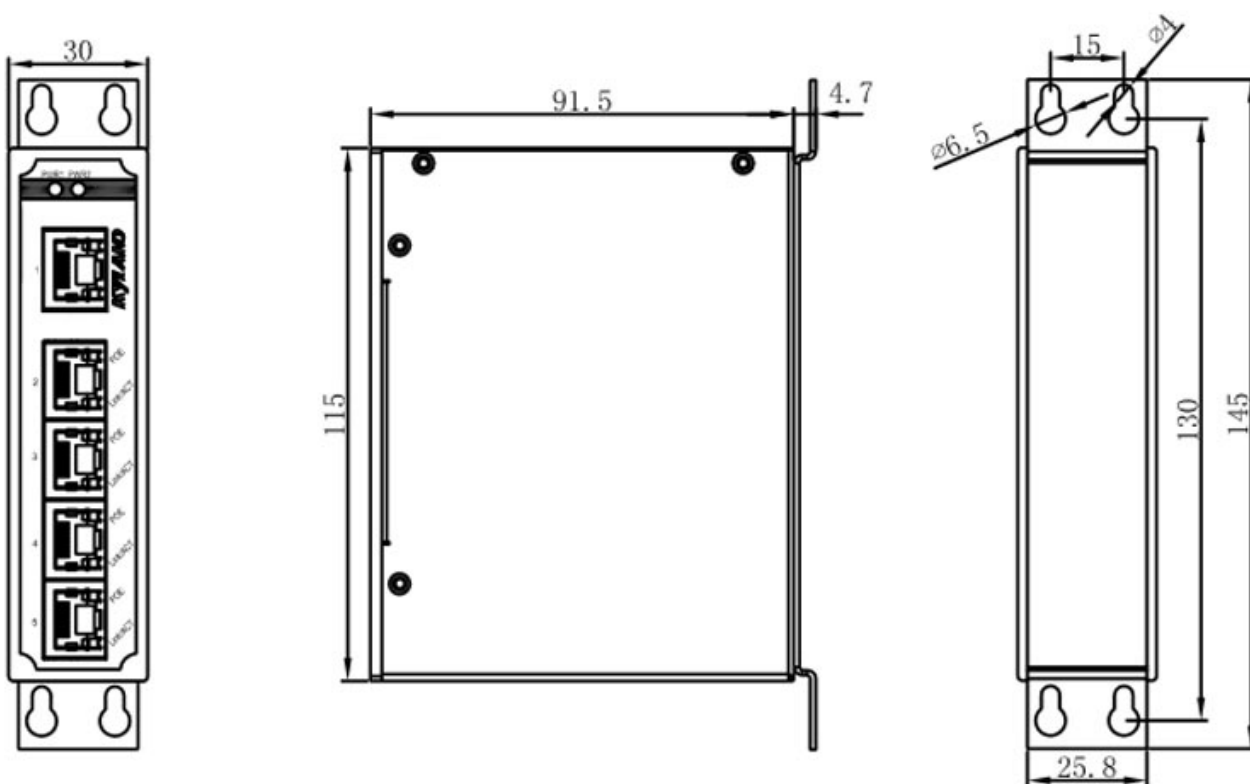
IEC60068-2-6 (Free Fall)

» Mechanical Drawing

DIN Rail Mounting



Panel Mounting



» Ordering Information

KIEN1005S-Ports-Connector-PS1-PS2
Ports

1S4P	1x100Base-FX, single mode fiber ports; 4x10/100Base-T(X) RJ45 PoE ports
1M4P	1x100Base-FX, multi mode fiber ports; 4x10/100Base-T(X) RJ45 PoE ports
1T4P	1 10/100Base-T(X) RJ45 port;4 10/100Base-T(X) RJ45 PoE ports
Connector	100M fiber port specifications
SC05	SC connector, multi-mode, 1310nm, 5km
ST05	ST connector, multi-mode, 1310nm, 5km
FC05	FC connector, multi-mode, 1310nm, 5km
SC40	SC connector, single-mode, 1310nm, 40km
ST40	ST connector, single-mode, 1310nm, 40km
FC40	FC connector, single-mode, 1310nm, 40km
SC60	SC connector, single-mode, 1310nm, 60km
SC80	SC connector, single-mode, 1550nm, 80km
None	No 100M fiber port
PS	
L10-L10	48VDC (45-57VDC), redundant power inputs
Accessories	
DT-BGAZ-01	Panel for panel mounting
DT-FCZ-RJ45-01	Dustproof cover for RJ45 port

Version:2018-02-12 09:44:22